

**Advanced Clean® 3.0 SpaLet® Seat
with Remote Control Operation**

8018A60GRC-020 - Elongated Seat

- Two independent water sprays for independent front and back cleansing
- The dual water spray system is self cleansing. Each nozzle is rinsed with water before and after each use.
- Instant heating provides unlimited warm water on demand
- The warm air dryer has 3 air temperatures (Low, Medium, High: 104°F to 131°F)
- The heated seat function has 5 levels: 3 preset and 2 additional customer settings. Temperature can be easily adjusted for comfort
- The massage feature alternates between strong and mild sprays, creating a pulsating effect that indulges the user. Posterior spray only.
- 5 Nozzle positions to personalize your cleansing experience
- The auto deodorizer uses active charcoal to reduce the odors in the bowl. Operation begins once the user sits down on the seat and continues for 5 seconds after the user stands up
- Air Shield technology deodorizes the air in the bowl.
- Slow-close seat and lid
- One button push that allows the user to easily detach the seat for convenient cleaning of hard-to-reach areas
- 104 mm Slim design for use with most elongated bowls
- Premist to maintain the cleanliness of the bowl
- Seamless seat for convenient cleaning
- One-touch power save (8 hours)
- Color-matched remote control included
- Seat weighs 9.48 lbs. (4.3 kg)

Nominal Dimensions:

16-1/4" x 21-5/16" x 4-1/16"
(413 x 541 x 104 mm)

Available Spare Parts:

- **760287-401.0070A** Mounting Kit
- **760351-200.0070A** Bidet Shield



SEE REVERSE FOR ROUGHING-IN DIMENSIONS
AND PRODUCT SPECIFICATIONS

To Be Specified:

- Color: 020 White

Compliance Certifications -

Meets or Exceeds the Following Specifications:

- ASME A112.4.2/CSA B45.16
- Personal Hygiene and Health Care Appliances - UL 1431
- Motor-operated appliances (household and commercial) - CSA C22.2 No.68-14
- Update No. 3
- Household Cooking and Liquid-Heating Appliances - CSA C22.2 No. 64-14

Certifications:

- IAPMO(cUPC)
- State of Massachusetts

Code Compliance:

- UPC
- IPC
- NSPC
- NPC Canada

Rated Power Source : 120 VAC, 60 Hz

Rated Power Consumption : 1,300 W

Power Cord Effective Length : 39" (990mm)

Waterproof Grade : IPX4



Dual Nozzle



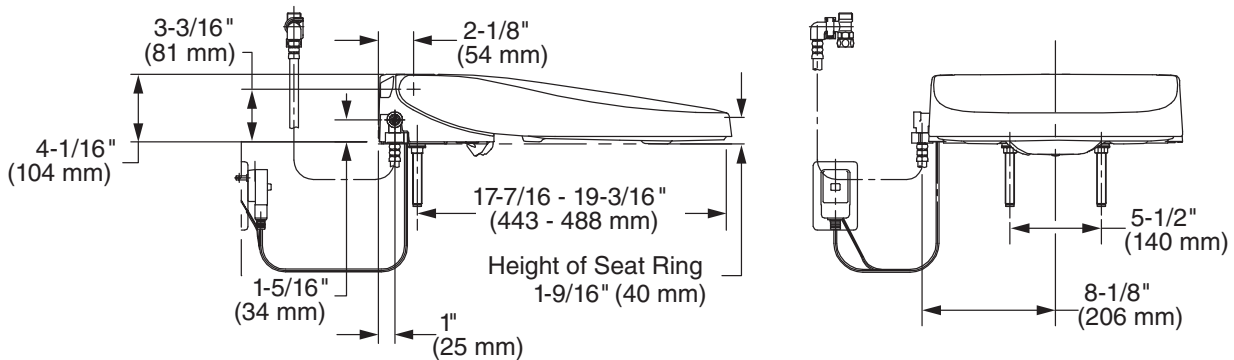
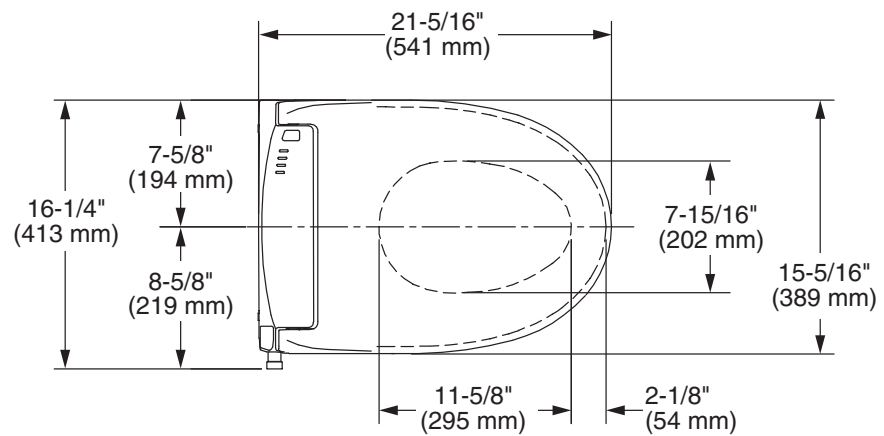
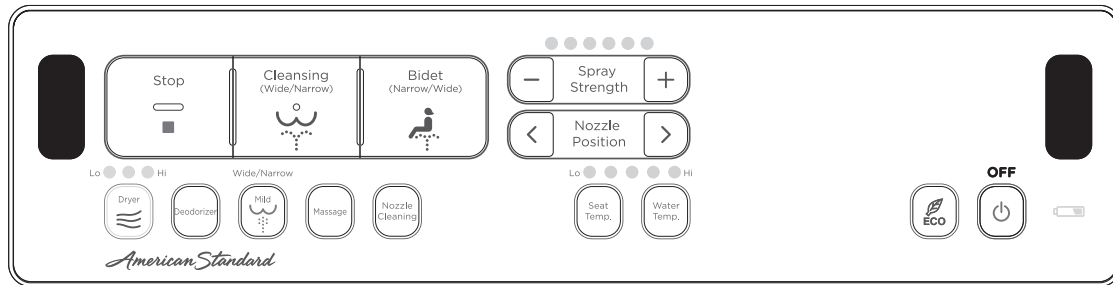
Self-Cleaning
Nozzle



Instant Heating



Heated Seat



* Dimensions shown for location of supply is suggested.

IMPORTANT:

Dimensions of fixtures are nominal and may vary within the range of tolerance established by ANSI Standard A112.19.2. These measurements are subject to change or cancellation. No responsibility is assumed for use of superseded or voided pages.