

COMFORT SERIES™

SSD4828 WALK-IN BATHTUB



American Standard
Walk-In Tubs

The American Standard ComfortSeries™ 48"x28" inward-opening walk-in bathtub provides a similar bathing experience to larger models, but fits in smaller spaces and uses less water. The included tub extender allows this tub to retrofit in the same space as a standard bathtub. The low door threshold allows ease of entry and exit for able-bodied bathers.

Fully equipped, ComfortSeries™ bathtubs offers all the latest in safety and comfort features with the most advanced therapeutic features. It includes 44 HydroTherapy jets to assist in the treatment of illness and injury, symptoms of arthritis, back pain, circulatory disorders and other common ailments; and in eliminating toxins that cause joint pain and inflammation.

Our multi-coloured Chromatherapy System uses the effect of colour healing to trigger positive health, emotional, and mental well-being and to boost relaxation and reduce tension. The included inline heater maintains bath water temperature to keep it consistent.

Our patented QuickDrain®, designed by world class engineers, is a powered pump that evacuates water in less than 2 min, allowing for a quick and safe exit. Users now have access to a way of bathing and showering safely, in a hygienic bacteria-free, and independent manner while treating medical ailments and ensuring overall wellness.

It's backed by a 100% LIFETIME WARRANTY on the door, seal, all bathtub components, and on installation by American Standard/The Walk-in Tub Company.

Whirlpool Massage



A soothing and invigorating water jet massage system that features an in-line heater, auto Ozone tub cleaning system, and Legs-Only massage. Customize back and leg muscle therapies with 16 different water jets focussed on back, shoulders, legs, and arms.

AirSpa Massage



Experience a soft and caressing all-over body massage powered by a variable speed heated blower that releases thousands of air bubbles rising throughout the water from 28 different air jets focussed on hips, back, legs, and feet. The automatic purge cycle helps keep the system running efficient and clean.

ChromaTherapy



Multi-coloured light therapy to encourage wellness through visual and mental stimulation.

QuickDrain® System



An American Standard patented innovation that once activated, rapidly pumps the water out from within the tub in less than 2 min, making it safe to open the door and exit the bathtub.



COMFORTSERIES™ SSD4828

48"x28" INWARD-OPENING DOOR

WALK-IN BATHTUB

SSD4828

RevitaJet™ Whole Body Hydrotherapy System

- 44 RevitaJet™ Massage Therapy Jets
- Available in White only
- Left-hand or Right-hand door/drain configuration
- Inward-opening door with watertight door system
- Built-in 17" chair-height seat
- Textured Floor
- Polished Chrome colour contrasting fittings for optimum visuals:
 - integral safety grab bar
 - trim and cable-driven waste & overflow
 - whirlpool and air jet trim
- 24" polished chrome safety grab bar & showerbar
- Patented QuickDrain® fast water removal system
- Removeable lower panel to receive & accommodate the legs of a patient lift system
- Premium American Standard fast-fill tub faucet and hand-held showering wand
- Cushioned neck rest
- ChromaTherapy System for visual well-being
- Tub Extender Kit to fill 60" space
- Lifetime Warranty

Water Jet System Features

- 16 variable flow massage jets
- Whirlpool In-Line Heater
- Legs-Only Massage System
- Self-cleaning Ozone Sanitation System

AirSpa System Features

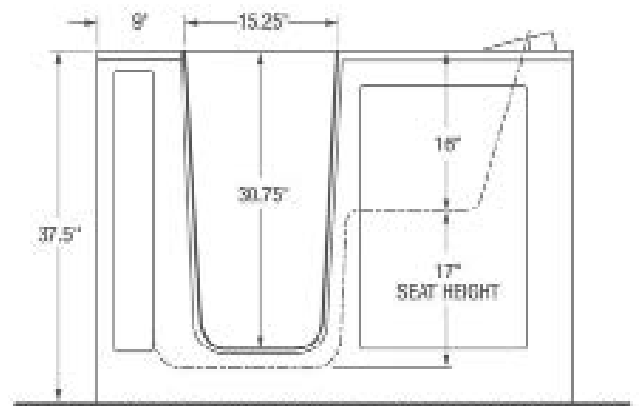
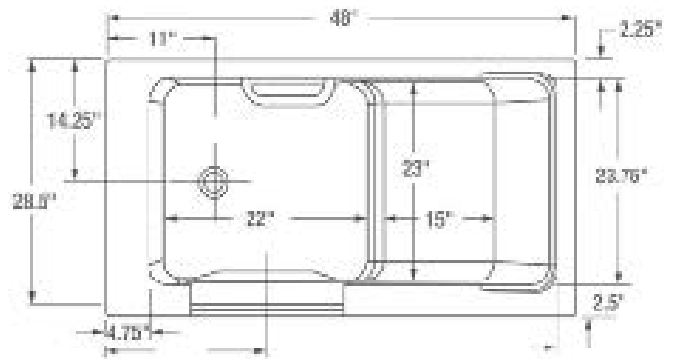
- 28 seat and floor air injectors
- Variable speed heated blower
- Automatic Purge Cycle to eliminate residual water



Lifetime Warranty includes bathtub, all components, door seal, faucet and installation/labour by American Standard/TWTC



Products with the Arthritis Foundation's Ease of Use™ Commendation are tested and proven to make daily tasks easier. Learn more at arthritis.org/easeofuse



GENERAL SPECIFICATIONS FOR SSDOD5230 ACCESSIBLE BATHTUB	
INSTALLED SIZE	48"x28"x38" (1219x711x965mm)
WEIGHT	150 lbs (68 kg)
WEIGHT w/WATER	528 lbs (238 kg)
OPERATING GALLON	45 gal (170 L)
FLOOR LOADING	56 lbs/sq.ft (275 kg/sq.m)
PROJECTED AREA	28.8 cu.ft (0.82 cu.m)

To Be Specified - Required:

- Drain Configuration: Left(CLD) or Right(CRD)
- Colour: White (W) only



Notes:
 The whirlpool heater is designed to maintain water temperature during operation. It will not heat cold water to desired temperature. Tub is supported by the frame, and five integrated adjustable feet. No additional support is required. Refer to installation instructions supplied with tub, for additional information. Provide suitable reinforcement to sub floor for all supports.
 Our products are in compliance with the following codes: Uniform Plumbing Code UPC®, National Plumbing Code of Canada, International Plumbing code IPC®.
 Our products conform to the following standards: ASME A112.19.7, ASME A112.19.15; CSA B45, CSA B45.5, CSA C22.2 No218.2; UL-1795; ANSI Z124.1.2.
 Our products are listed with: cETL us.

IMPORTANT: Dimensions of fixtures are nominal, may vary, and are subject to change or cancellation. No responsibility is assumed for use of superseded or voided leaflet.